

Part I: Basic Technical Data for Z8C

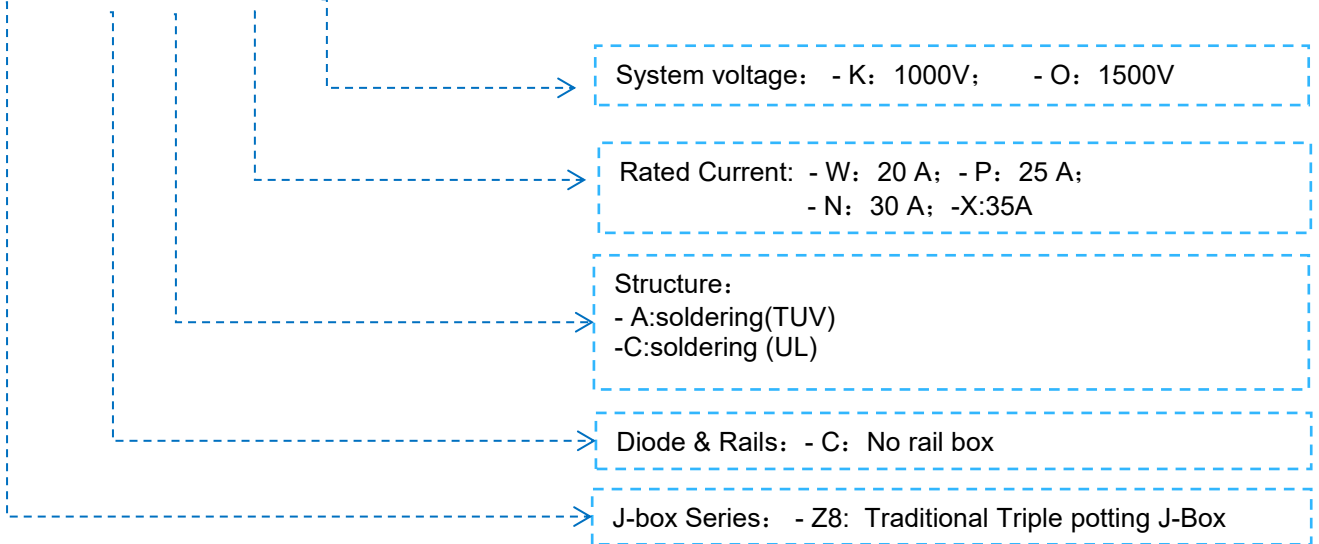
资质证书 Certifications	TUV		UL
标准 Standard	IEC 62790		UL3730
证书编号 Certification No.			
线缆规格 Wire Size	1X4.0mm ²	12AWG	
额定系统电压 Rated System Voltage	1000V DC or 1500V DC		
额定电流 Rated Current	20A	Diode: ZERUN 30SQ045 (If=30A;Vrrm=45V)	
	25A	Diode: ZERUN 35SQ045 (If=35A;Vrrm=45V)	
	30A	Diode: ZERUN 40SQ045 (If=40A;Vrrm=45V)	
	35A	Diode: ZERUN 50SQ045 (If=50A;Vrrm=45V)	
工作温度范围 Temperature Range	-40°C ~ 85°C		
安全等级 Safety Class	Class II		
阻燃等级 Flame Resistance	5VA		
防护等级 Protection Degree	IP68		
密封类型 Sealing type	灌胶 Potting		
灌胶体积 Volume of Silicon Gel	约 16mL		
汇流条间距 Foil Pitch	11.5mm		
汇流条适用尺寸 Bus ribbons size	宽度: 2.0mm ~ 8.0mm, 厚度: 0.2mm ~ 0.5mm		
汇流条连接方式 Connecting of bus ribbons	锡焊		
箱体尺寸 Box size	See page 2		
二极管数量 No. of Diode	3		
绝缘材料 Insulation Material	PPE		

连接器 Connector:

制造商 Manufacturer	型号 Type	证书 Approval
Zerun Co.,Ltd.	Z4S-abcde	TUV:R50495771, UL:E351402
Stäubli Electrical Connectors AG	PV-KST4/xy-UR; PV-KBT4/xy-UR	TUV:R60127190, UL:E343181
	PV-KST4-EVO 2/xy_UR; PV-KBT4-EVO 2/xy_UR	TUV:R60127169, UL:E349713
Amphenol Industrial Operations	H4L-abcdef	TUV:R50388083, UL:E339277
	UTXCFabcd, UTXCMabcd	TUV:R50340393, UL:E339277

Part II: Z8 Naming Code

Z8- a b c d

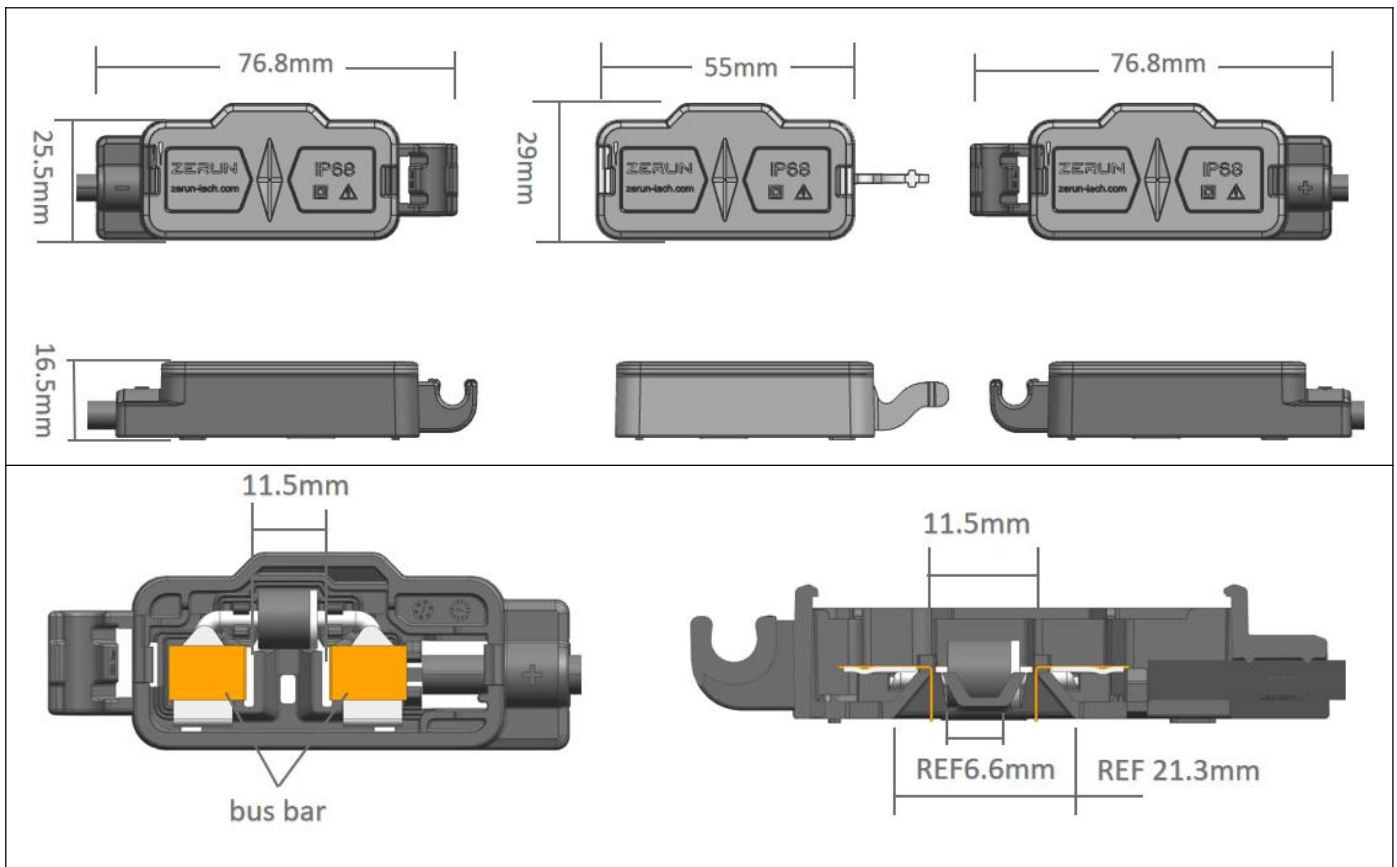


Part number example – **Z8-CAPO**

Split type Junction Box Assembly, no rail, foil connection type is soldering, rated current 25A, 1500V certification.

Part III: Pictures for Z8-abcd (b=A/C)

b=A



b=C

